

4

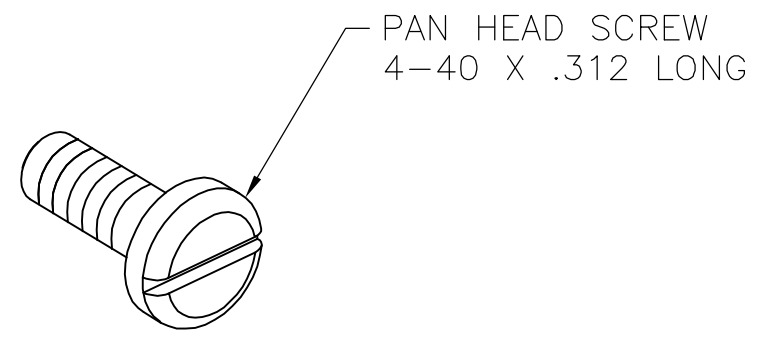
3

2

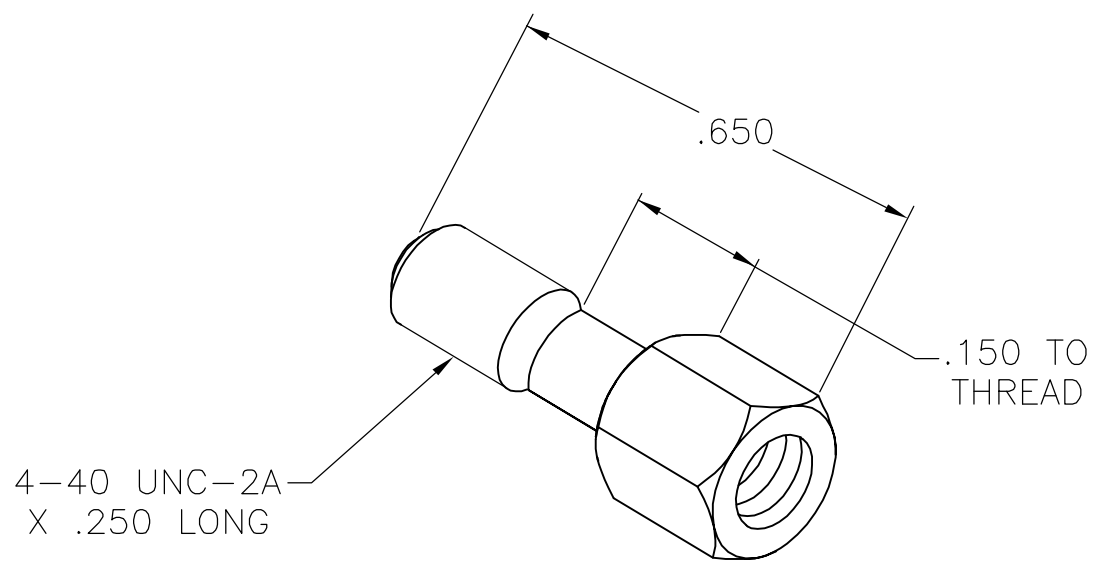
1

THIS DRAWING IS UNPUBLISHED. RELEASED FOR PUBLICATION  
 © COPYRIGHT BY TYCO ELECTRONICS CORPORATION. ALL RIGHTS RESERVED.

LOC	DIST	REVISIONS			
P	LTR	DESCRIPTION	DATE	DWN	APVD
GP	00	0	RELEASED PER EC OS13-0288-05	10OCT05	BM WM



1. ALL DIMENSIONS SHOWN ARE FOR REFERENCE ONLY UNLESS OTHERWISE SPECIFIED.
2. TWO PIECES OF EACH REQUIRED PER KIT.
3. ALL HARDWARE SHIPPED UNASSEMBLED.
4. MATERIAL:  
 MOUNTING STUD: ZINC PLATE WITH YELLOW TRIVALENT CHROMATE OVER STEEL.  
 PAN HEAD SCREW: PASSIVATED STAINLESS STEEL.



5554272-1  
 PART NUMBER

THIS DRAWING IS A CONTROLLED DOCUMENT.		DWN B. MCMASTER	10OCT05	<b>tyco</b> <b>Electronics</b>	Tyco Electronics Corporation												
DIMENSIONS: INCHES		CHK W. MILLHIMES	10OCT05		Harrisburg, PA 17105-3608												
TOLERANCES UNLESS OTHERWISE SPECIFIED:		APVD W. MILLHIMES	10OCT05	NAME EMI HARDWARE KIT, PRE ASSEMBLED, RIGHT ANGLE, 4-40, SCREW LOCK													
<table border="1"> <tr><td>0 PLC</td><td>± -</td></tr> <tr><td>1 PLC</td><td>± -</td></tr> <tr><td>2 PLC</td><td>± -</td></tr> <tr><td>3 PLC</td><td>± -</td></tr> <tr><td>4 PLC</td><td>± -</td></tr> <tr><td>ANGLES</td><td>± -</td></tr> </table>		0 PLC	± -	1 PLC	± -	2 PLC	± -	3 PLC	± -	4 PLC	± -	ANGLES	± -	PRODUCT SPEC		SIZE	
0 PLC	± -																
1 PLC	± -																
2 PLC	± -																
3 PLC	± -																
4 PLC	± -																
ANGLES	± -																
MATERIAL		APPLICATION SPEC		CAGE CODE	DRAWING NO												
<table border="1"> <tr><td>4</td></tr> </table>		4	WEIGHT		A3	00779											
4																	
FINISH		CUSTOMER DRAWING		C=5554272													
		SCALE		RESTRICTED TO													
		2:1		-													
		SHEET		REV													
		1 of 1		0													